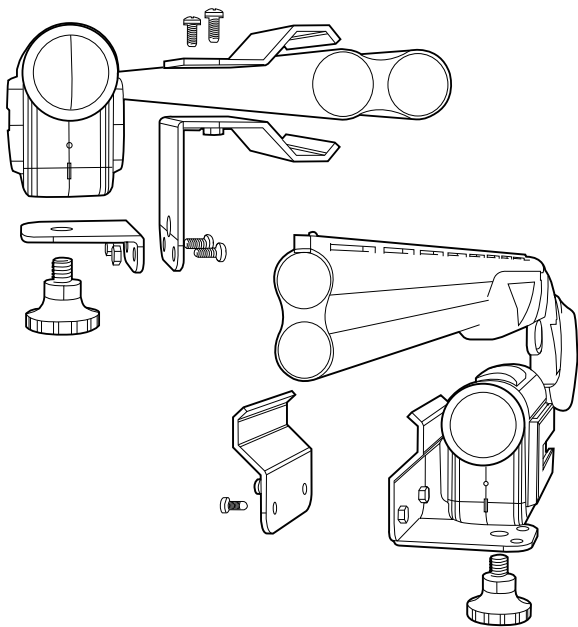


ATTACHES TO BARREL OF ALL SHOTGUNS (OVER/UNDER, SIDE BY SIDE, AND SINGLE BARREL)

INSTRUCTIONS FOR MOUNTING



midlandusa.com